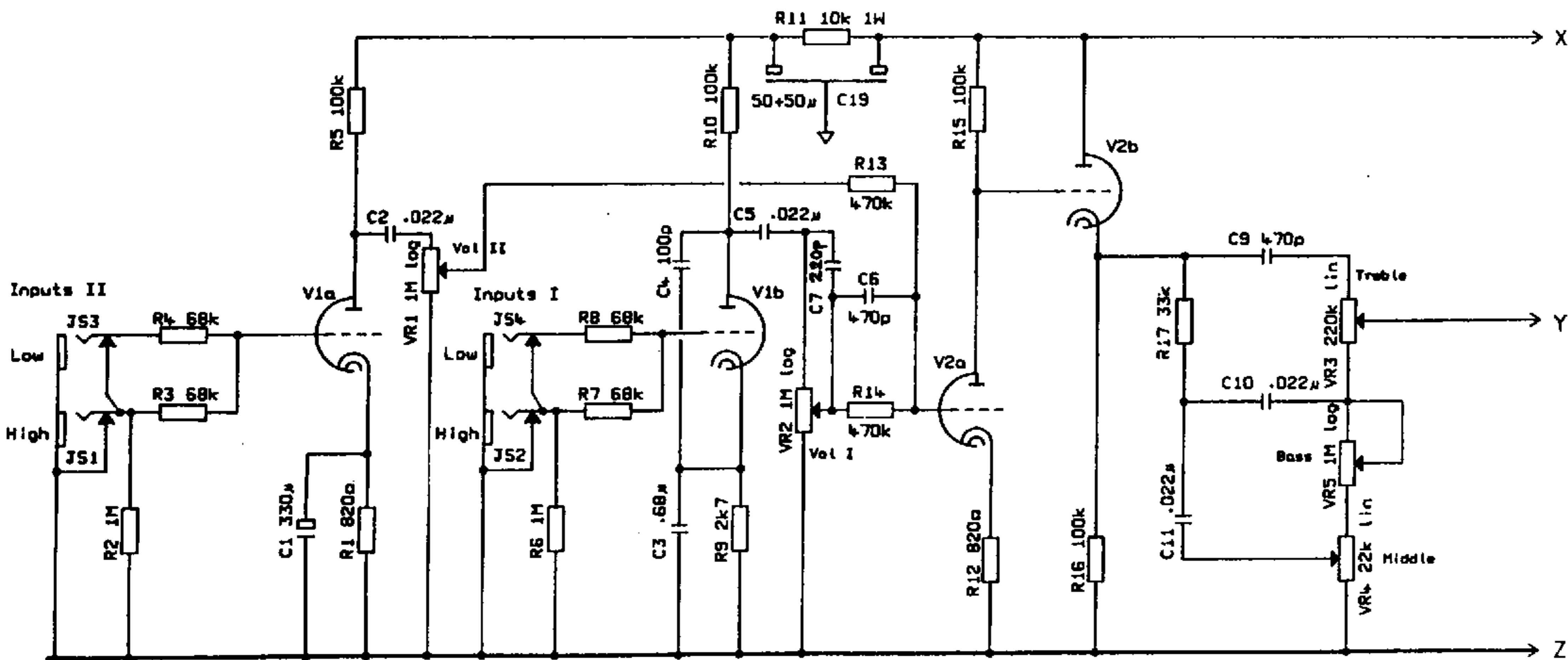


NOTES

PCB: JM80

V1.2: ECC83. filament supply shown on power stage diagram.

JS3.4 chassis mounted and linked to board



4	1B-5-88	CPV
ISS. DATE		DRN.

DRAWING NUMBER
1987 STD
 Preamplifier

MARSHALL

JIM MARSHALL
 PRODUCTS LTD.
 BLETCHLEY
 MILTON KEYNES
 ENGLAND
 File: 1987PRE.DGM

